



Sturdy Photo/Video Tripod #BSA604

3-section (23mm square channel). 3-way oil-fluid pan head with fluid tensioning knob. Built-in quick release adapter with spring loaded video pin and bubble level. Crank center column with tension adjustment. Metal spikes/rubber feet & locking brace give added stability.

Specifications:

Height Closed: 23"
Height Extended: 56"
Weight: 3.6lbs.

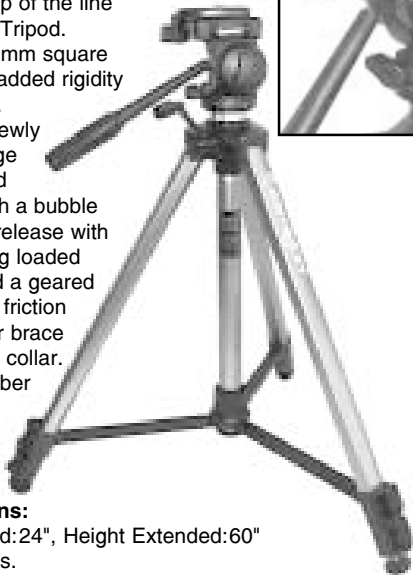


BSA604 Photo/Video Tripod



Pro Photo/Video Tripod #BSA605

Samigon's top of the line Photo/Video Tripod. 3-section (26mm square channel) for added rigidity and strength. Features a newly designed large 3-way oil fluid pan head with a bubble level. Quick release with built-in, spring loaded video pin and a geared elevator with friction collar. Center brace with lockable collar. Spiked & rubber tipped legs.



Specifications:

Height Closed: 24", Height Extended: 60"
Weight: 4.4 lbs.

BSA605 Photo/Video Tripod

EXTRA QUICK RELEASE PLATES

- BSA621 For BSA603 and 604
Note: Also fits Bilora quick releases
- BSA622 For BSA605
- BSA623 For BSA618



Photo/Video Tripod #BSA607

3-section (20mm closed channel). A handy, lightweight mini-tripod with a geared elevator center column, center brace, and rubber tipped, quick release legs. Pan head tilts for vertical and horizontal formats and has a quick release base.



Specifications:

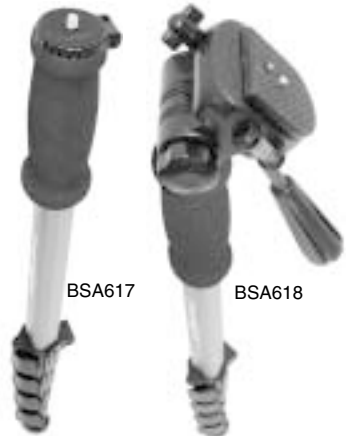
Height Closed: 10½",
Height Fully Extended: 20"
Weight: 24 oz.

BSA607 Photo/Video Tripod



Monopod #BSA617

This sturdy 5-section monopod weighs less than a pound. It has a flip lock leg with a rubber foot and a retractable steel spike for outdoor use. Non-slip rubber hand grip for comfort. Perfect for outdoor and sports photography. Height Closed: 19½" Extended: 63½" Weight: 14.2oz.



BSA617 Monopod w/Round Head



Monopod #BSA618

Sturdy 5-section tubular monopod with 2-way fluid head. Quick release with spring loaded video pin and bubble level. Flip lock legs with retractable steel spike for outdoor use. Rubber handle and hand strap for safety. Height Closed: 22 7/8", Extended: 67", Wgt: 1.85 lbs.

BSA618 Monopod w/Quick Release Head and Spirit Level

Testrite Unipod

Made of lightweight aluminum. Accommodates all standard video and still cameras. Made of three sections with two aluminum clutches. Complete with braided hand strap.

Specifications:

Height Closed: 23½"
Height Extended: 61"
Weight: 13 oz.



BTE213 Testrite Unipod

#3

FOR FAST DELIVERY CALL TOLL FREE!

EAST
1-888-ARGRAPH
OR 1-800-526-6290

WEST
1-888-WESTARG
OR 1-800-323-9069